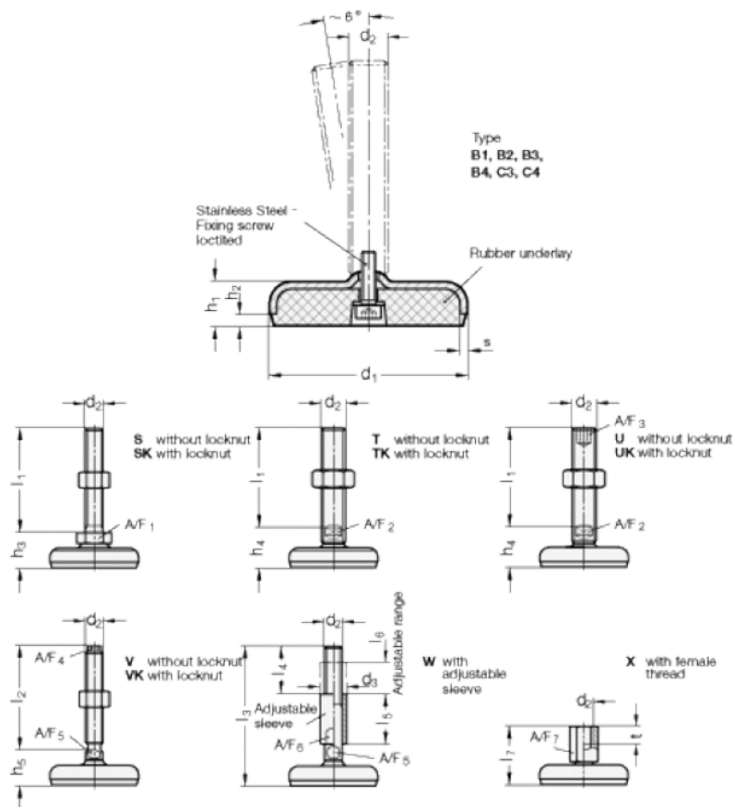


Article number: 203160M16125C3T  
 Description: E+G levelling foot  
 GN 31-60-M16-125-C3-T  
 Note: T Without nut, Wrench flat at the bottom

## Measures



A/F2	= 12
d1	= 60
d2	= 16
h1	= 16
h2	= 4
h4 +4.0/0	= 30
l2	= 125
s	= 3